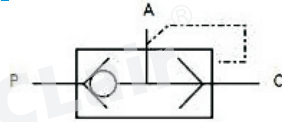


K系列快速排气阀



符号



订购码

KKP - 8

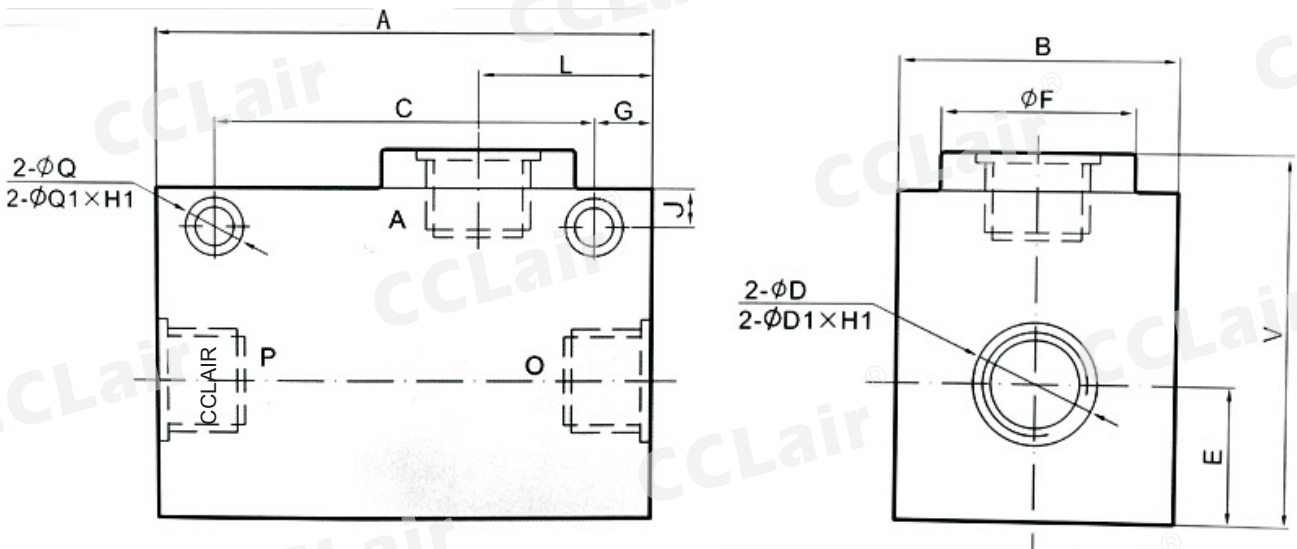
快速排气阀系列 接管口径

6 : G1/8" ; 25 : G1"
 8 : G1/4" ; 32 : G1 1/4"
 10 : G3/8" ; 40 : G1 1/2"
 15 : G1/2" ; 50 : G2"
 20 : G3/4"

技术参数

| 型号 | KKP-6 | KKP-8 | KKP-10 | KKP-15 | KKP-20 | KKP-25 | KKP-32 | KKP-40 | KKP-50 | |
|-------|---------|-------|--------|--------|--------|--------|--------|--------|--------|-----|
| 工作压力 | 0.1~0.8 | | | | | | | | | |
| 介质温度 | 0~55 | | | | | | | | | |
| 环境温度 | -10~55 | | | | | | | | | |
| 有效截面积 | P-A | 10 | 20 | 40 | 60 | 110 | 190 | 300 | 400 | 650 |
| | A-O | 20 | 40 | 60 | 110 | 190 | 300 | 400 | 650 | 900 |
| 换向时间 | ≤0.04 | | ≤0.06 | | ≤0.1 | | ≤0.15 | | ≤0.2 | |
| 泄漏量 | ≤10 | | ≤25 | | ≤50 | | ≤70 | | ≤70 | |
| 寿命 | ≥150 | | | | | | | | | |

外形尺寸



| 型号 | D | | D1 | Q | Q1 | A | B | C | E | F | G | H | H1 | J | L |
|---------|---------|----------|----|----|----|-----|-----|-----|----|----|----|-----|----|----|-----|
| | 英制 | 公制 | | | | | | | | | | | | | |
| KKP-L6 | G1/8" | M10x1 | 13 | - | - | 75 | 56 | - | 10 | 35 | - | 1.8 | - | - | 41 |
| KKP-L8 | G1/4" | M12x1.25 | 16 | - | - | 75 | 56 | - | 10 | 35 | - | 1.8 | - | - | 41 |
| KKP-L10 | G3/8" | M16x1.5 | 20 | 7 | 12 | 82 | 44 | 58 | 23 | - | 12 | - | 6 | 8 | 60 |
| KKP-L15 | G1/2" | M20x1.5 | 24 | - | - | 82 | 44 | 58 | 23 | - | 12 | - | 6 | 8 | 60 |
| KKP-L20 | G3/4" | M27x2 | 32 | 10 | 15 | 128 | 72 | 98 | 36 | 50 | 15 | 2.7 | 8 | 10 | 95 |
| KKP-L25 | G1 | M33x2 | 40 | - | - | 128 | 72 | 98 | 36 | 50 | 15 | 2.7 | 8 | 10 | 95 |
| KKP-L32 | G1 1/4" | M42x2 | 48 | 10 | 15 | 158 | 88 | 126 | 44 | 64 | 16 | - | 10 | 10 | 112 |
| KKP-L40 | G1 1/2" | M48x2 | 54 | - | - | 158 | 88 | 126 | 44 | 64 | 16 | - | 10 | 10 | 112 |
| KKP-L50 | G2" | M60x2 | 70 | 12 | 18 | 190 | 102 | 148 | 52 | 80 | 21 | 4.5 | - | 10 | 130 |