

VH2V系列高压球阀

VH2V Series High Pressure Ball Valve

其它
系列

型号说明 Model Code



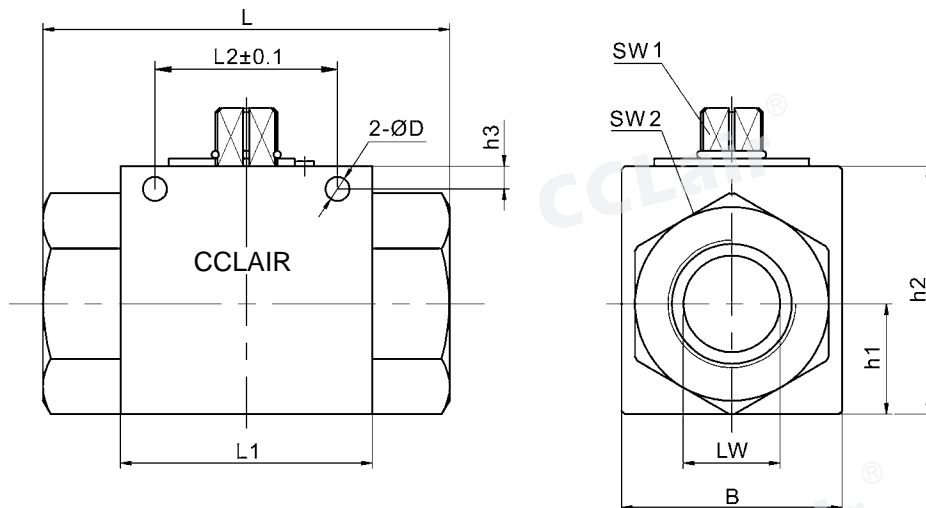
VH2V -- M27×1.5 -- 1 1 1 2 -- 01 X -- *

- 1、系列代号：VH2V系列
Series Code: VH2V Series
 - 2、连接代号：M**、G**、**LR、**SR、PT**、NPT**
Joint Code: M**, G**, **LR, **SR, PT**, NPT**
 - 3、阀体材料：1-钢
Valve Body Material: 1-Steel
 - 4、球体材料：1-钢、2-黄铜
Ball Body Material: 1-Steel, 2-Brass
 - 5、工作温度：1. -25~+100℃、2. -30~+170℃
Operating Temperature: 1. -25~+100 °C, 2. -30~+170 °C
 - 6、其他密封：2-丁晴橡胶、4-氟橡胶
Other Airproof: 2-NBR, 4-FPM
 - 7、手柄形式：01-铝质直柄、02-铝质曲柄、03-铸锌直柄、04-铸锌曲柄、
05-钢质直柄、06-钢质曲柄、09-不带手柄
Handle Type: 01-Aluminium straight handle, 02-Aluminium crooked handle, 03-Casting zinc straight handle, 04-Casting zinc crooked handle, 05-Steel straight handle, 06-Steel crooked handle, 09-Without handle
 - 8、设计序号：由生产商定
Design Number: To be decided by the manufacturer
 - 9、表面处理：空白-磷化、G-电镀黄锌
Surface Disposal: Blank-Phosphoric polish, G- Electroplated yellow zinc
- 备注：适用介质/**Applicable Medium**: 液压油 Hydraulic Oil

图形符号 Symbol



外形尺寸 Overall Dimension

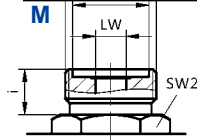
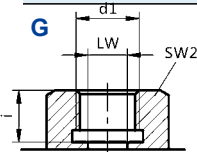
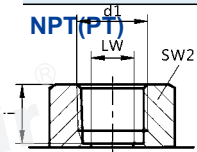
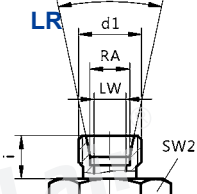
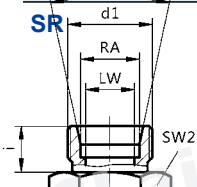


VH2V系列高压球阀

VH2V Series High Pressure Ball Valve

其它
系列

外形尺寸 Overall Dimension

连接口略图 Connection	简略型号 Part No.	PN (bar)	DN	LW	RA	d1	i	L	L1	B	L2	h1	h2	SW1	SW2	D	h3
 <p>M</p>	VH2V-M16×1.5	500	06	06	11	M16×1.5	11	69	40	26	31.5	13.5	35	09	22	4.5	4.8
	VH2V-M27×1.5	500	10	10	20	M27×1.5	12	76	42	32	31.5	16	40	09	27	5.3	5.8
	VH2V-M36×2	315	20	20	30	M36×2	15	103	60	48	48.5	25	58	12	41	6.5	6
	VH2V-M42×2	315	25	23	35	M42×2	18	116	65	57	50.5	28.5	65	12	50	8.5	7
<p>本接头符合JB984-77标准 This tie-in accord JB984-77 standard</p>																	
 <p>G</p>	VH2V-G1/4	500	06	06	/	G1/4	14	69	40	26	31.5	13.5	35	09	22	4.5	4.8
	VH2V-G3/8	500	10	10	/	G3/8	14	72	42	32	31.5	16	40	09	27	5.3	5.8
	VH2V-G1/2	500	13	13	/	G1/2	16	83	48	35	38.5	18	45	09	30	6.5	6
	VH2V-G3/4	315	20	20	/	G3/4	18	93	60	50	48.5	23	58	12	41	6.25	6
	VH2V-G1	315	25	25	/	G1	21	115	65	57	50.5	27.5	65	12	46	8.5	9
 <p>NPT(PT)</p>	VH2V-NPT1/4	500	06	06	/	NPT1/4	14	69	40	26	31.5	13.5	35	09	22	4.5	4.8
	VH2V-NPT3/8	500	10	10	/	NPT3/8	14	72	42	32	31.5	16	40	09	27	5.3	5.8
	VH2V-NPT1/2	500	13	12	/	NPT1/2	16	83	48	35	38.5	18	45	09	30	6.5	6
	VH2V-NPT3/4	315	20	20	/	NPT3/4	18	95	60	50	48.5	23	58	12	41	6.5	6
	VH2V-NPT1	315	25	25	/	NPT1	21	113	65	57	50.5	27.5	65	12	46	8.5	7
 <p>LR</p>	VH2V-08LR	500	06	06	08	M14×1.5	10	67	40	26	31.5	13.5	35	09	22	4.5	4.8
	VH2V-12LR	500	10	10	12	M18×1.5	11	74	42	32	31.5	16	40	09	27	5.3	5.8
	VH2V-15LR	500	13	12	15	M22×1.5	12	82	48	35	38.5	18	45	09	30	6.5	6
	VH2V-18LR	500	13	12	18	M26×1.5	12	82	48	35	38.5	18	45	09	30	6.5	6
	VH2V-22LR	315	20	19	22	M30×2	14	101	60	50	48.5	23	58	12	41	6.5	6
	VH2V-28LR	315	25	24	28	M36×2	14	108	65	57	50.5	27.5	65	12	46	8.5	7
 <p>SR</p>	VH2V-10SR	500	06	06	10	M18×1.5	12	73	40	26	31.5	13.5	35	09	22	4.5	4.8
	VH2V-14SR	500	10	10	14	M22×1.5	14	80	42	32	31.5	16	40	09	27	5.3	5.8
	VH2V-16SR	500	13	13	16	M24×1.5	14	86	48	35	38.5	18	45	09	30	6.5	6
	VH2V-20SR	500	13	12	20	M30×2	16	90	48	35	38.5	18	45	09	30	6.5	6
	VH2V-25SR	315	20	20	25	M36×2	18	109	60	50	48.5	23	58	12	41	6.5	6
	VH2V-30SR	315	25	25	30	M42×2	20	120	65	57	50.5	27.5	65	12	46	8.5	7