

# KHB-B(C)系列高压球阀

KHB-B(C) Series High Pressure Ball Valve

其它  
系列



## 型号说明 Model Code

**KHB -- PT1/2 -- 1 1 -- X -- \* A**

1                      2                      3 4                      5                      6 7

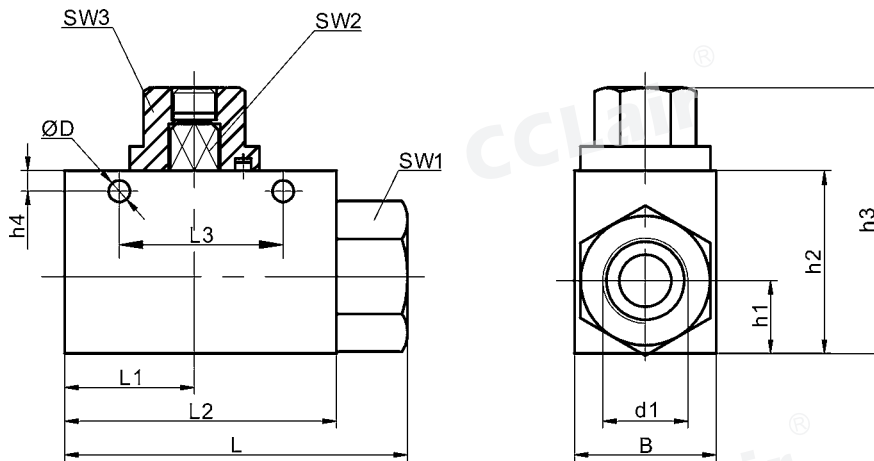
- 1、系列代号：KHB-B(C)系列  
Series Code: KHB-B(C) Series
- 2、连接代号：PT  
Joint Code: PT
- 3、阀体材料：1-钢  
Valve Body Material: 1-Steel
- 4、球体材料：1-钢、2-黄铜  
Ball Body Material: 1-Steel, 2-Brass
- 5、设计序号：由生产商定  
Design Number: To be decided by the manufacturer
- 6、表面处理：空白-磷化、G-电镀黄锌  
Surface Disposal: Blank-Phosphoric polish,  
G-Electroplated yellow zinc
- 7、手柄形式：A-不带SW3阀锁套          B、C-带SW3阀锁套  
Handle Type: A-Without SW3 spindle cap  
B、C-With SW3 spindle cap

备注：适用介质/**Applicable Medium**: 液压油 Hydraulic Oil

## 图形符号 Symbol



## 外形尺寸 Overall Dimension



连接形式 Connect Type	简略型号 Part No.	DN	d1	L1	L2	L3	L	B	h1	h2	h3	h4	SW1	SW2	SW3	ΦD
PT *表示螺纹连接形式	KHB-PT1/2-B	13	PT1/2	32	67	38.5	84.5	35	18	45	65.5	6	32	09	22	6.5
	KHB-PT3/4-B	20	PT3/4	55	95	48.5	120	50	23	58	83.5	6	41	12	22	6.5
	KHB-PT1-B	25	PT1	55	95	48.5	120	50	23	58	83.5	6	41	12	22	6.5
	KHB-PT3/4-C	13	PT3/4	32	67	38.5	89	35	18	45	65.5	6	Φ34.5	09	22	6.5